

RW-500 Rotary Vial Washer



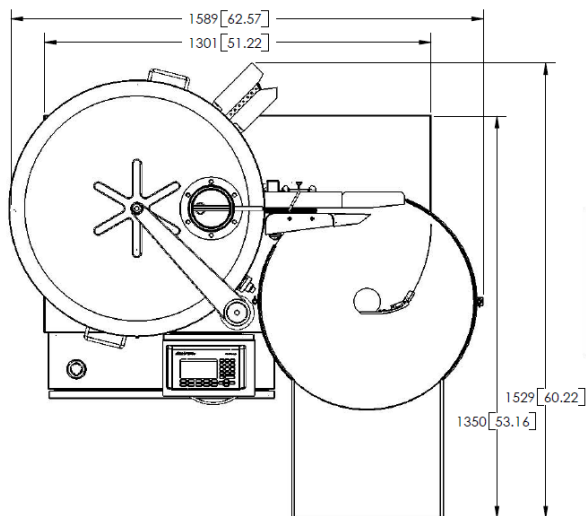
Specifications

Dimensions (L x W)	1589 mm x 1529 mm
Working Surface Height	851 mm – 978 mm (33.5 in - 38.5 in)
HMI	Allen Bradley PanelView Plus 7
PLC	Allen Bradley CompactLogix
Vial Range	2 ml – 100 ml, glass or plastic
Main-Drive	Servo motor
Outfeed Mechanism	Air cylinder
Wash Chamber Cover	Clear polycarbonate
Contact Parts	Electropolished AISI-316L stainless steel or Delrin
Sanitary Piping	AISI-316L stainless steel
Machine Frame	AISI-304 stainless steel
Panels & Cover	AISI-304 stainless steel
Electrical Panel	AISI-304 stainless steel
In-feed Table Motor	½ HP DC adjustable speed
Temperature Control	RTD
Pressure Control	Pressure transmitter
Air Filters	Stainless steel
Pump / Motor	Tri-Clover / Baldor
Water Consumption	1-5 liter/min wash program dependent
Utility Requirements	208 volt, three phase, 60 Hz
WFI	3-5 bar, 40-80 °C
Clean Dry Air	3-5 bar clean dry air, 5-7 m³ per hour
Instrument Air	6-bar at machine
Weight	Approximately 273 kg (600 lbs)



SP i-Dositecno RW-500 Rotary Vial Washer - Standard Configuration Shown

Vials	OD	Height	Output
ML	MM	MM	VPM
2	16	35	120
5	20.8	41.3	80
10	24	45	60
30	30	75	40
50	42.5	73	40
100	52.6	94.5	20



Additional Options

Change Parts
Change Parts Cart
Weld Certification Package
Wfi Recirculation Package
Boroscopic Weld Package
Silicon Recirculation Package
Drain Water Temperature Control
Integrity Testing Package For Water Filter
Integrity Testing Package For Care Filter
Waste Water Pump For Remote Drain
Print Capabilities Through Nat Router
Casters
21 CFR 11 Package
UI Approved Electrical Cabinet
Validation Documentation

Features



SP i-Dositecno washers do not use penetrating needles. Instead we use manifolds with precisely drilled orifices to generate a high velocity water jet that maintains its convergent nature until it impacts the base of the vial.

No spray nozzles ensures no chance of recalls because of chipped vials.



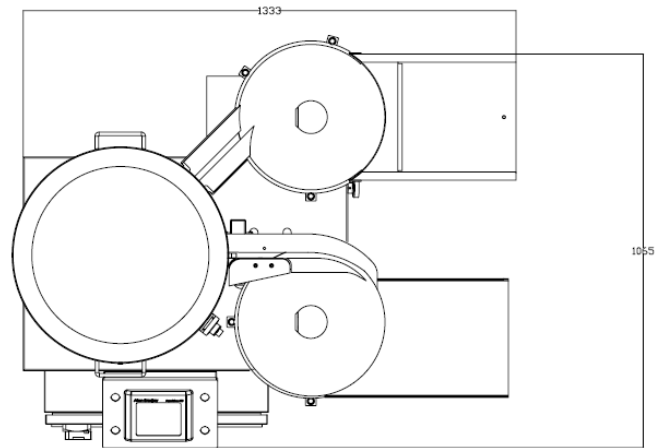
Directly driven by one servo drive means less maintenance and no particulate generation above the base.



Powered lid lifting is standard. Onboard electrical cabinet.



Changeover is simple and easy. Eight vial holders and six spray manifolds are replaced in less than 15 minutes.



The washer can have a tray-off station for batch oven applications or connect directly to a depyrogenation tunnel and filling/stoppering/capping unit.



Watch Video

https://www.youtube.com/watch?v=UhkD3GMfQug&list=PLDkDgHjkrjNXBv_5v_l6TLMkNjnpjh6mb&index=12